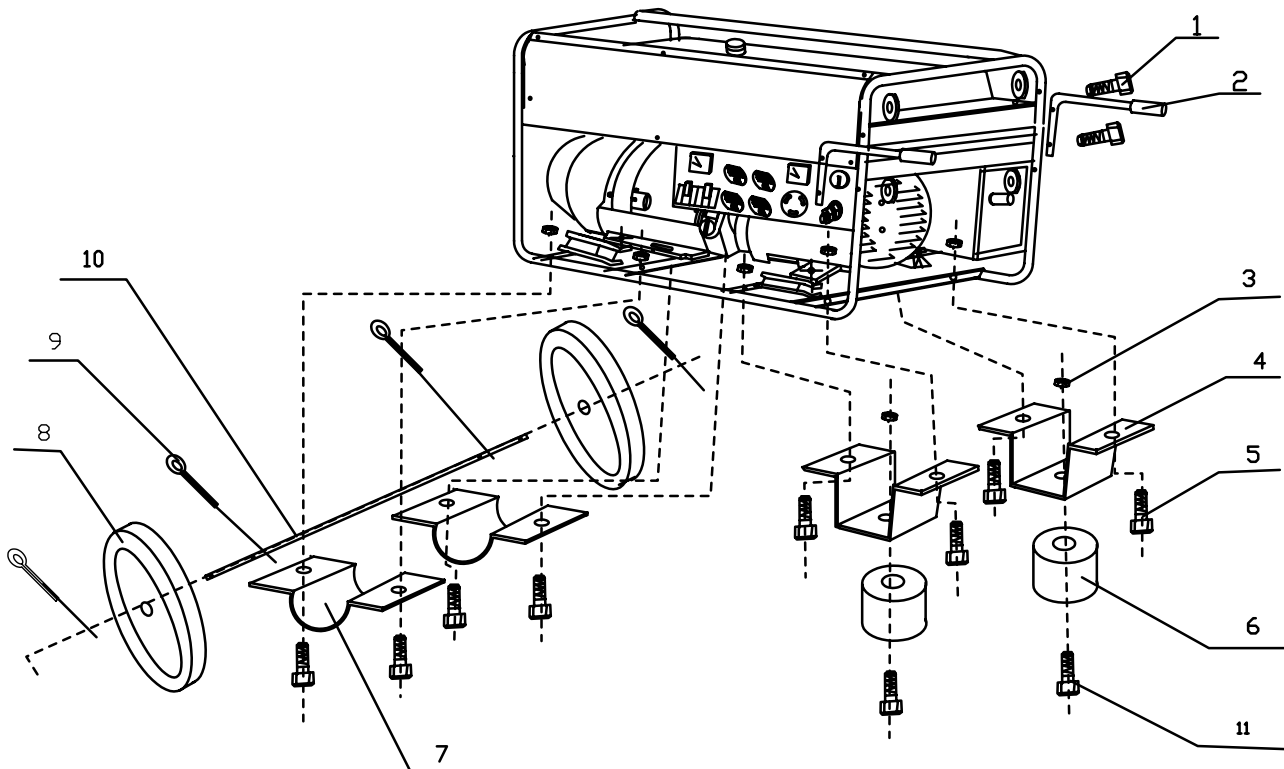


ASSEMBLY INSTRUCTION

Handle Wheel and Bracket Assembly



Part#	Description	Qty
1	M8*60 Bolt	4
2	Handle	2
3	M8 Nut	14
4	Bracket	2
5	M8*20 Bolt	8
6	Oscillation absorber	2
7	Axle Bracket	2
8	Wheel	2
9	Pin	4
10	Axle	1
11	M8*25 Bolt	2